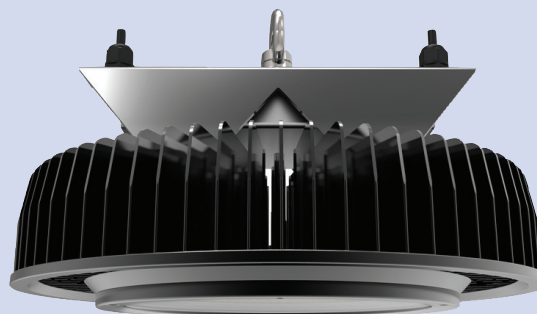




832-995-3424

EVERYTHING YOU NEED TO  
GET THE JOB DONE  
BRIGHT!



# FALCON 480W LED HIGH BAY

## PERFORMANCE DATA

**L70\* Life (Hours):**  
185,000+

**Warranty**  
5 Years

**IP Rating**  
IP65

**CRI (ra)**  
>80

**Operating Temperature**  
-40°F - 122°F

**Certification**  
cUL, UL

## FEATURES

- Pure cold forged aluminum heatsink with electro-coated finish
- Nichia 757G-V1 LED chips
- Standard 316 marine grade stainless steel hardware
- Silicone double gasketed tempered glass lens
- Efficiencies of up to 161 lm/W
- Standard 1-10v dimming
- Standard 6ft cord

## APPLICATIONS

Warehouses, Factories, Athletic Complexes, Aircraft Hangers



## ORDERING INFORMATION

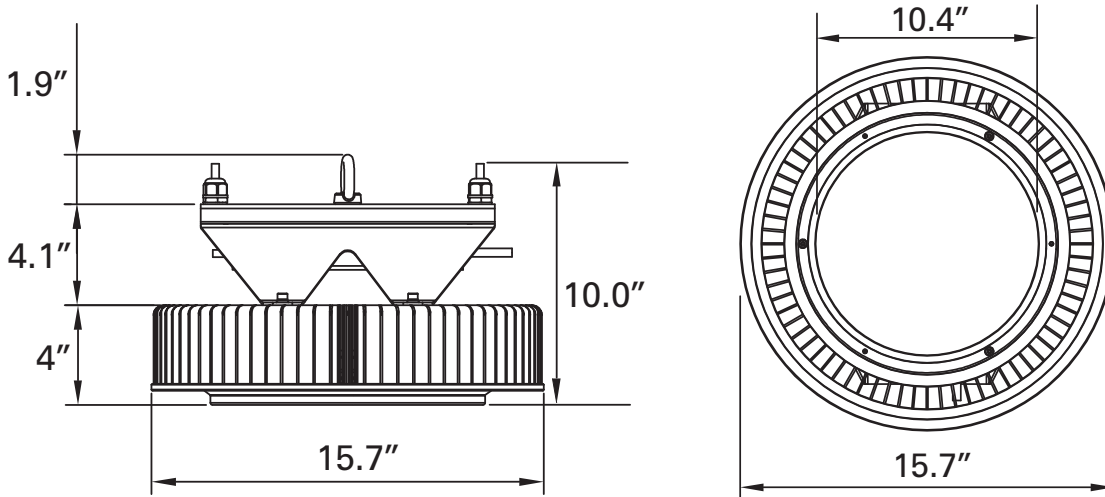
EXAMPLE: FCN-03-480W-UNV-50K120-G-D

A	B	C	D	E			F	G	H
Model	Series	Power	Input Voltage	Color Temp.	Light output	Efficacy	Optics	Lens	Options
FCN	02	480W	UNV (120-277V)	40K (4000K)	68,419 lm	138 lm/W	120	G (Clear Glass)	D (Dimming)
				50K (5000K)	69,754 lm	140 lm/W			
				57K (5700K)	70,421 lm	141 lm/W			
			480 (200-480V)	40K (4000K)	67,773 lm	141 lm/W			
				50K (5000K)	68,998 lm	143 lm/W			
				57K (5700K)	69,610 lm	144 lm/W			
03	480W	UNV (120-277V)	40K (4000K)	75,837 lm	151 lm/W				
			50K (5000K)	78,460 lm	157 lm/W				
			57K (5700K)	79,771 lm	161 lm/W				
		480 (200-480V)	40K (4000K)	75,603 lm	156 lm/W				
			50K (5000K)	76,933 lm	159 lm/W				
			57K (5700K)	77,598 lm	160 lm/W				

\*L90 & L70 values at 25\* C are calculated per TM-21 based on LM-80 and in-situ luminaire testing. In accordance with IESNA TM-21-11, projected values represent interpolated value based on time durations that are within six times (6x) the IESNA LM-80-08 total test duration (in hours) for the device under testing ((DUT) i.e. the packaged LED chips). In accordance with IESNA TM-21-11, calculated values represent time durations that exceed six times (6x) the IESNA LM-80-08 total test duration (in hours) for the device under testing ((DUT) i.e. the packaged LED chips).

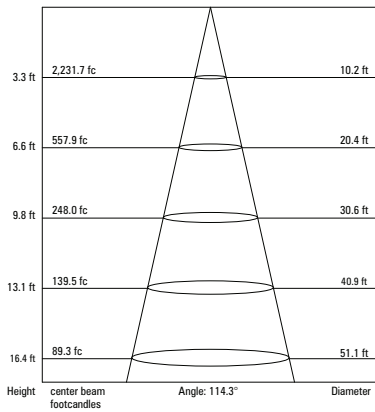
**DIMENSIONS**

Weight: 22.0 lb



**PHOTOMETRICS**

FCN-02-480W-UNV-40K120-G



FCN-03-480W-UNV-40K120-G

