



832-995-3424

EVERYTHING YOU NEED TO  
GET THE JOB DONE  
BRIGHT!



# PARKING GARAGE FIXTURE

## PERFORMANCE DATA

L70\* Life (Hours):

140,000+

## Warranty

5 Years

## IP Rating

IP65

## CRI (ra)

>80

## Operating Temperature

-4° F - 113° F

## Certification

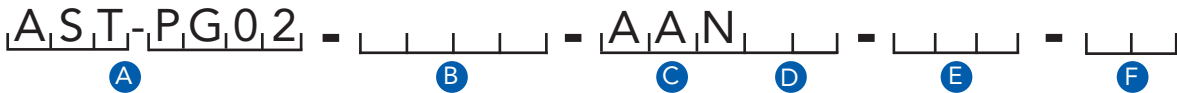
cUL, UL, FCC, DLC Premium

## FEATURES

- Aluminum alloy housing finished in white
- Clear polycarbonate lens with 160° optics
- Junction box on back for easy surface or pendant mount installation
- Efficiencies of up to 135 lm/W
- Standard 1-10v dimming
- Optional motion sensor and surge protector

## APPLICATIONS

Garage, Parking Structure, Overhang, Canopy



## ORDERING INFORMATION

EXAMPLE: AST-PG02-40WAANA1-50K

A	B	C	D	E			F
Model	Power	Optics	Input Voltage	Color Temp.	Light output	Efficacy	Options
AST-PG02	40W	AAN (160°)	A1 (100-277V)	40K (4000K)	5,219 lm	130 lm/W	M (MOTION SENSOR)** S (SURGE PROTECTOR) blank (NO OPTIONS)
				45K (4500K)	5,371 lm	132 lm/W	
				50K (5000K)	5,374 lm	132 lm/W	
				57K (5700K)	5,376 lm	133 lm/W	
	40W		H1 (347/480V)	40K (4000K)	5,254 lm	131 lm/W	
				45K (4500K)	5,304 lm	133 lm/W	
				50K (5000K)	5,329 lm	134 lm/W	
				57K (5700K)	5,354 lm	135 lm/W	
	55W		A1 (100-277V)	40K (4000K)	7,305 lm	131 lm/W	
				45K (4500K)	7,364 lm	132 lm/W	
				50K (5000K)	7,423 lm	133 lm/W	
				57K (5700K)	7,483 lm	133 lm/W	
	75W		A1 (100-277V)	40K (4000K)	9,819 lm	132 lm/W	
				45K (4500K)	9,928 lm	132 lm/W	
				50K (5000K)	9,962 lm	133 lm/W	
				57K (5700K)	9,995 lm	134 lm/W	
	100W		A1 (100-277V)	40K (4000K)	13,148 lm	133 lm/W	
				45K (4500K)	13,318 lm	131 lm/W	
				50K (5000K)	13,336 lm	132 lm/W	
				57K (5700K)	13,353 lm	132 lm/W	

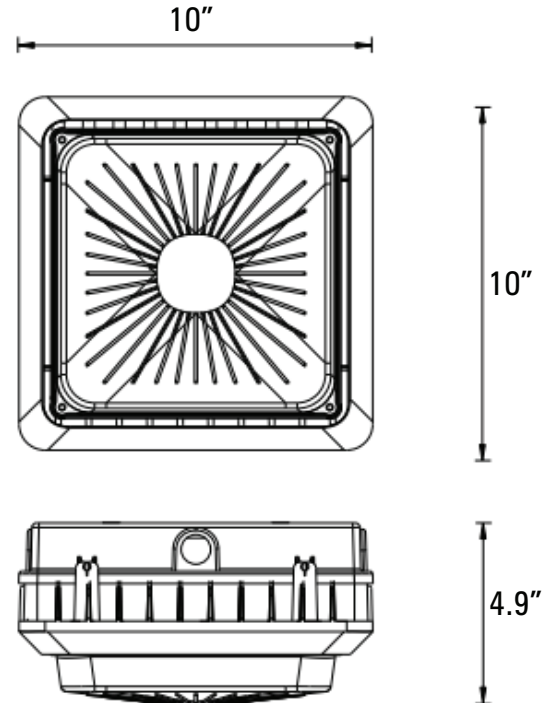
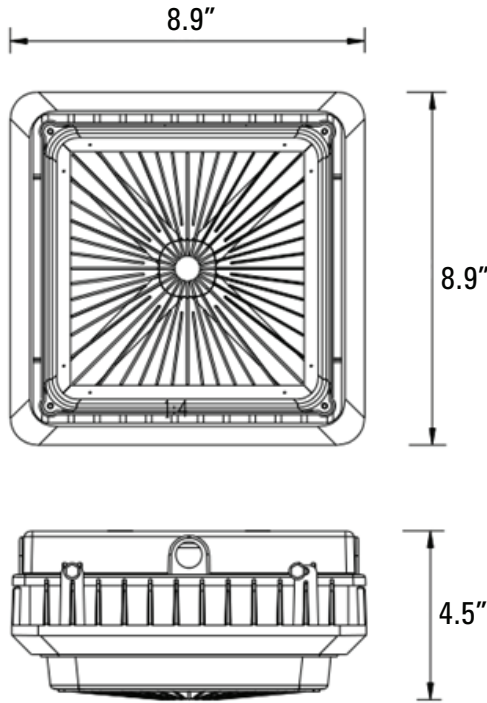
\*L90 & L70 values at 25° C are calculated per TM-21 based on LM-80 and in-situ luminaire testing. In accordance with IESNA TM-21-11, projected values represent interpolated value based on time durations that are within six times (6x) the IESNA LM-80-08 total test duration (in hours) for the device under testing ((DUT) i.e. the packaged LED chips). In accordance with IESNA TM-21-11, calculated values represent time durations that exceed six times (6x) the IESNA LM-80-08 total test duration (in hours) for the device under testing ((DUT) i.e. the packaged LED chips).

\*\*Photocell not available with 480 (347-480V)

**DIMENSIONS**

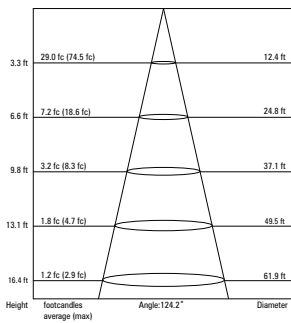
40W UNV: 4.2 lb  
 40W 480: 4.4 lb  
 55W: 4.4 lb

75W: 6.6 lb  
 100W: 7.1 lb

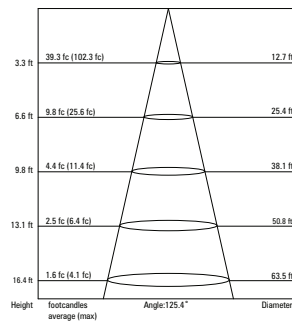


**PHOTOMETRICS**

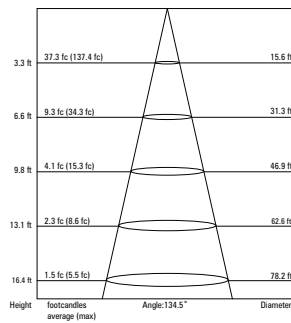
AST-PG02-40WAANA1-40K



AST-PG02-55WAANA1-40K



AST-PG02-75WAANA1-40K



AST-PG02-100WAANA1-40K

